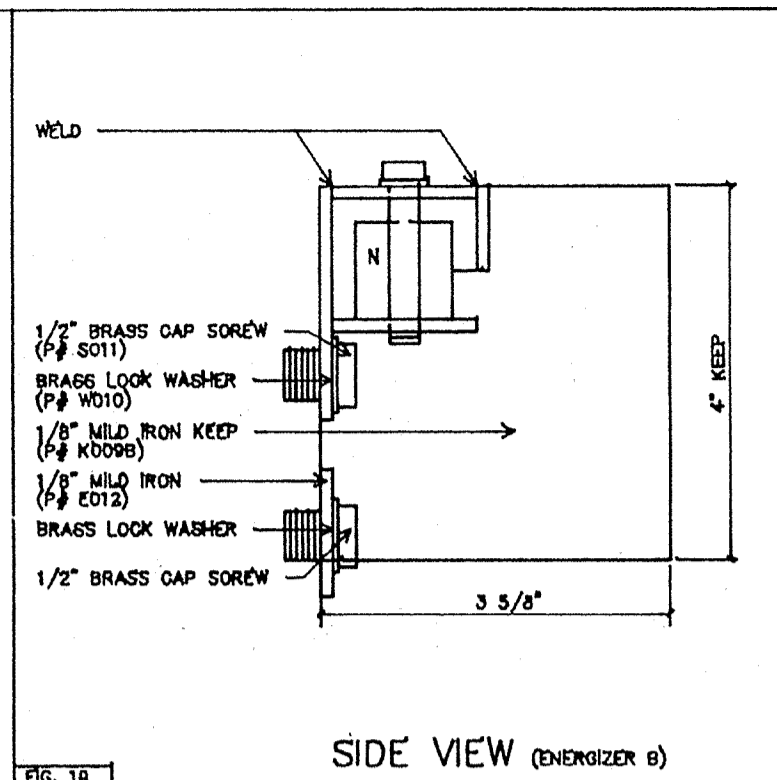


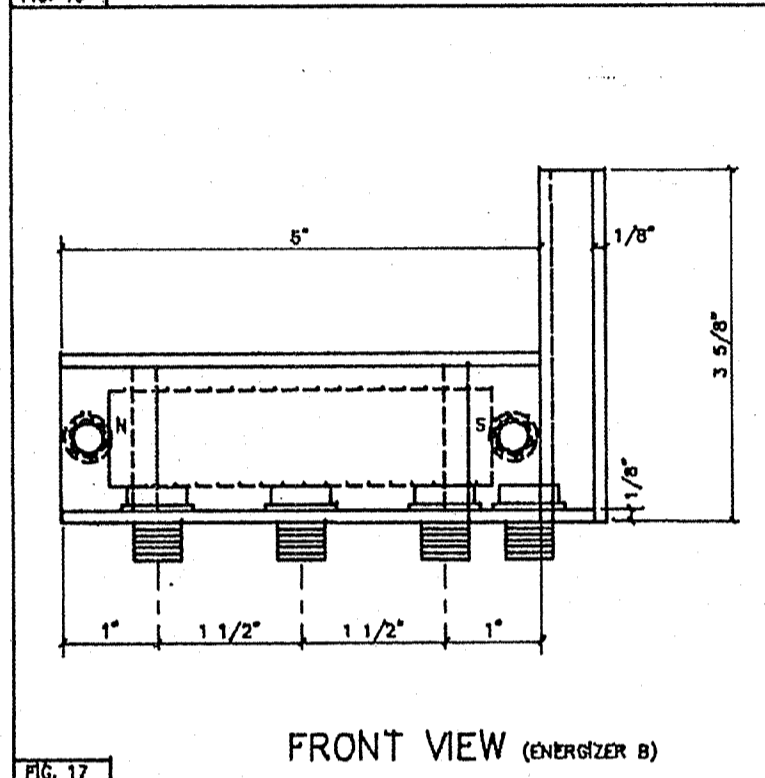
TOP VIEW (ENERGIZER B)

FIG. 18



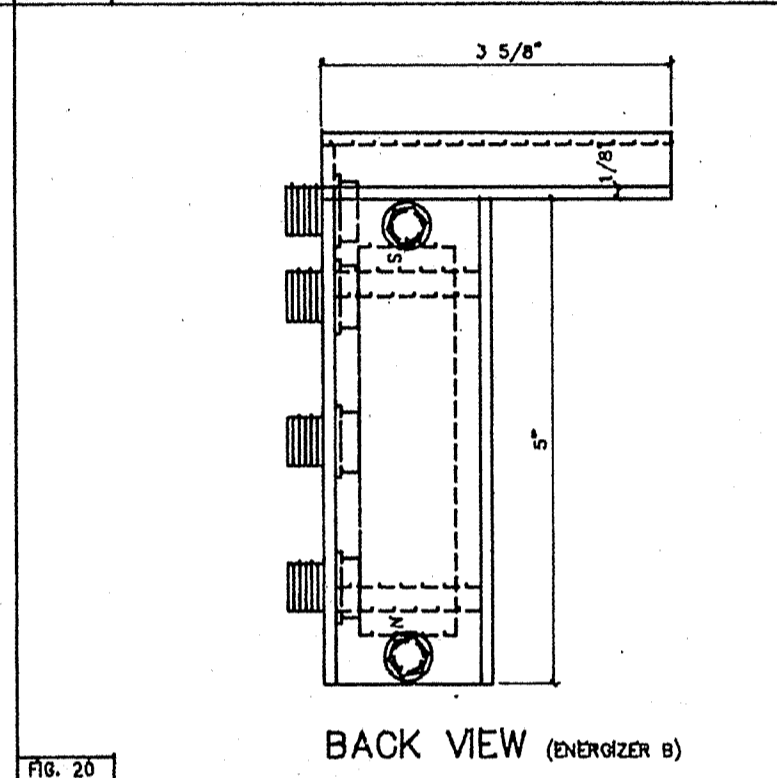
SIDE VIEW (ENERGIZER B)

FIG. 19



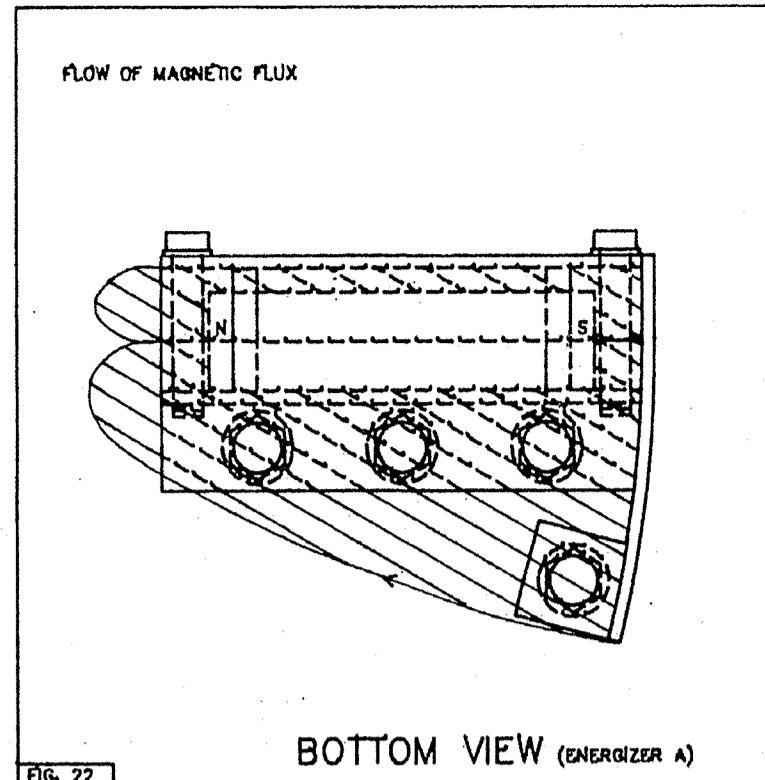
FRONT VIEW (ENERGIZER B)

FIG. 17



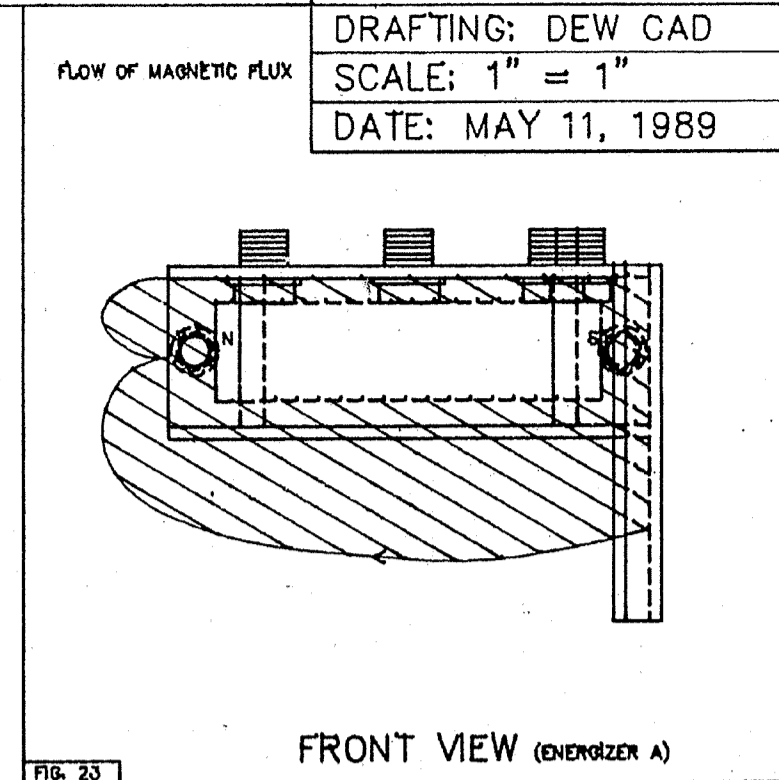
BACK VIEW (ENERGIZER B)

FIG. 20



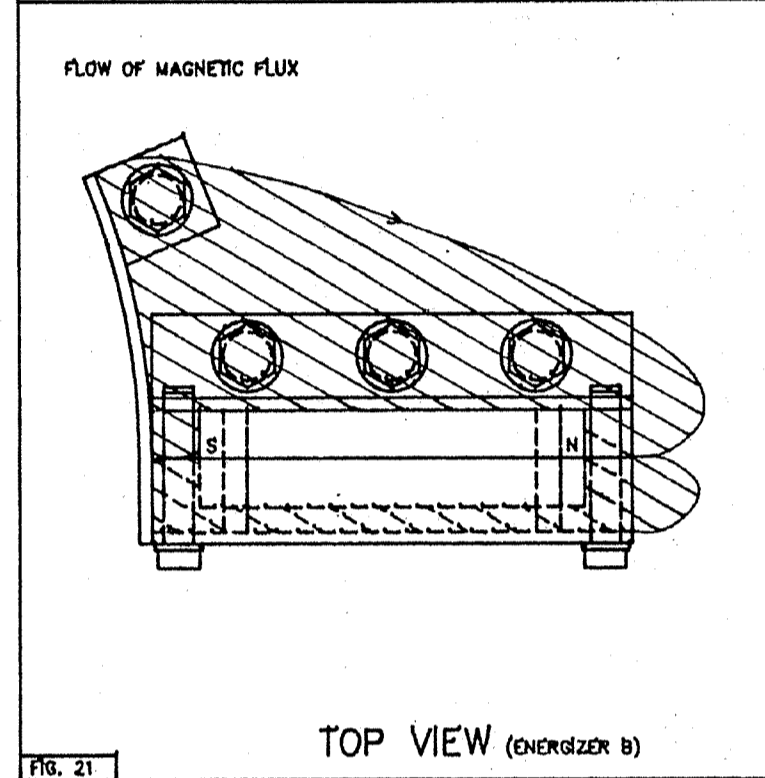
BOTTOM VIEW (ENERGIZER A)

FIG. 22



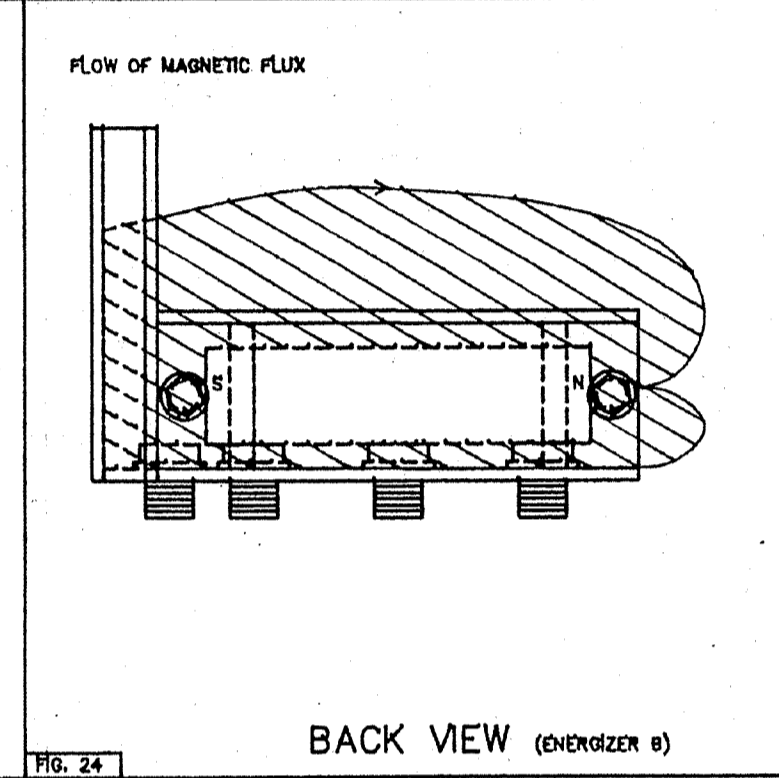
FRONT VIEW (ENERGIZER A)

FIG. 23



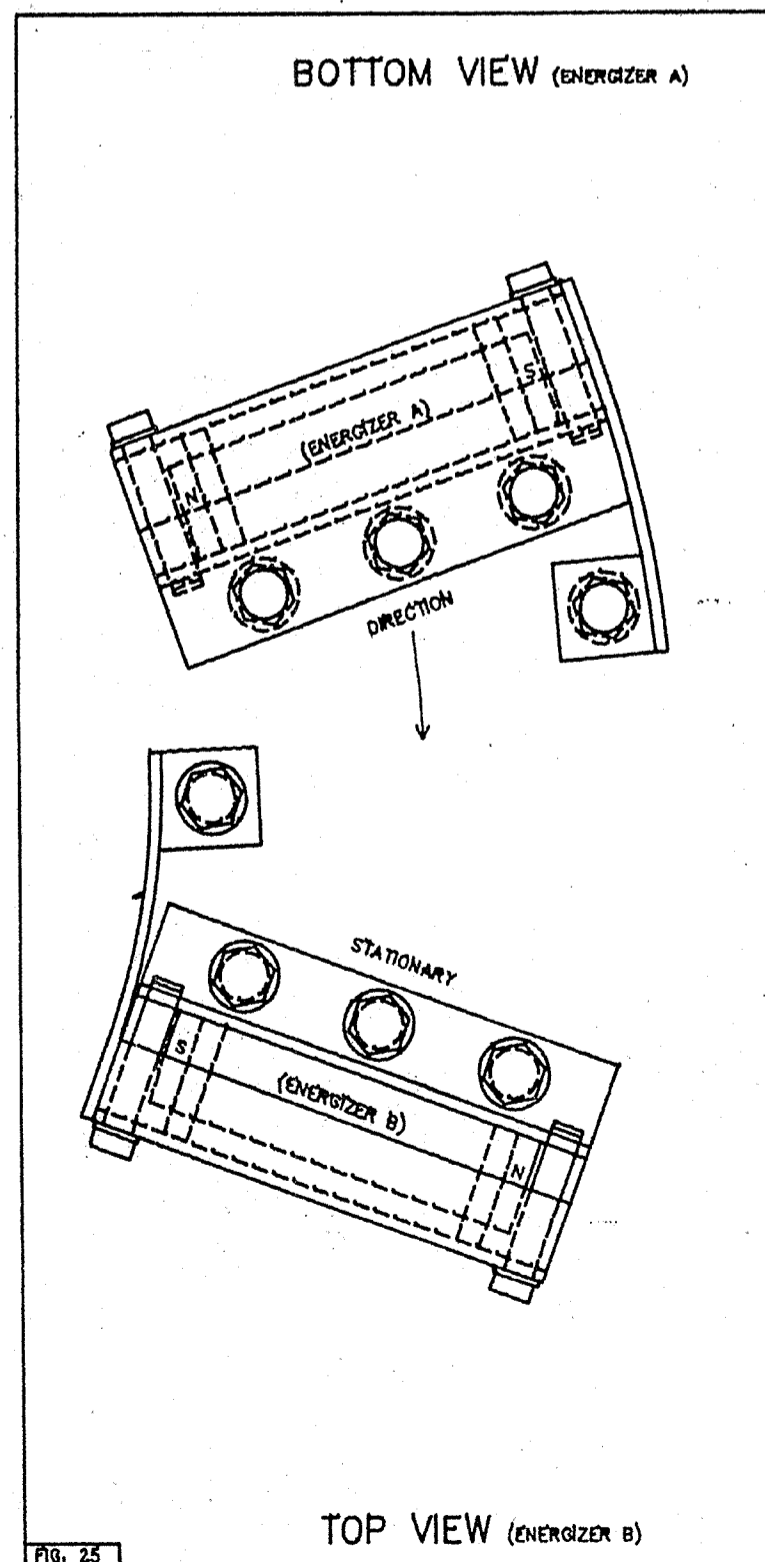
TOP VIEW (ENERGIZER B)

FIG. 21



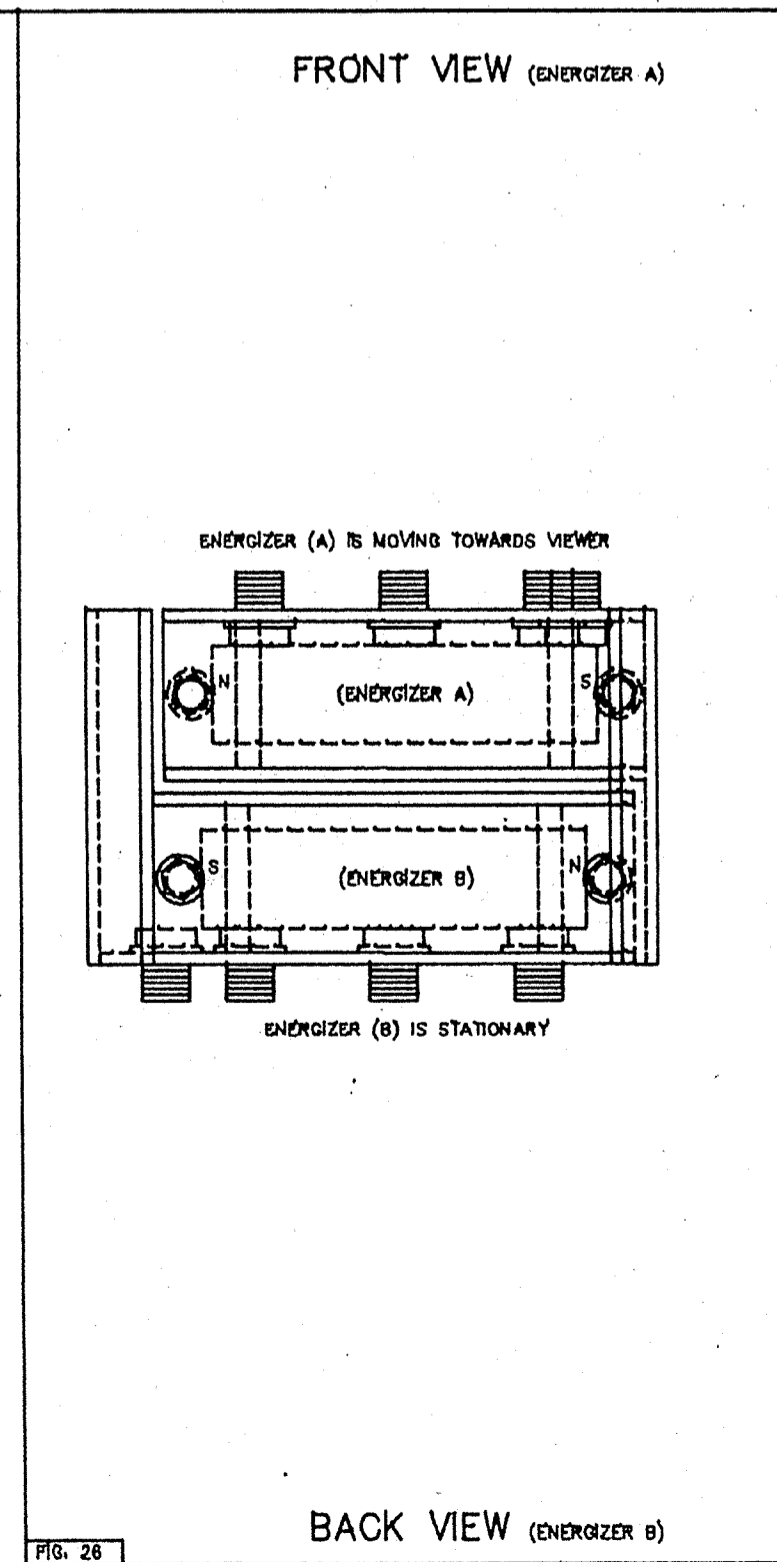
BACK VIEW (ENERGIZER B)

FIG. 24



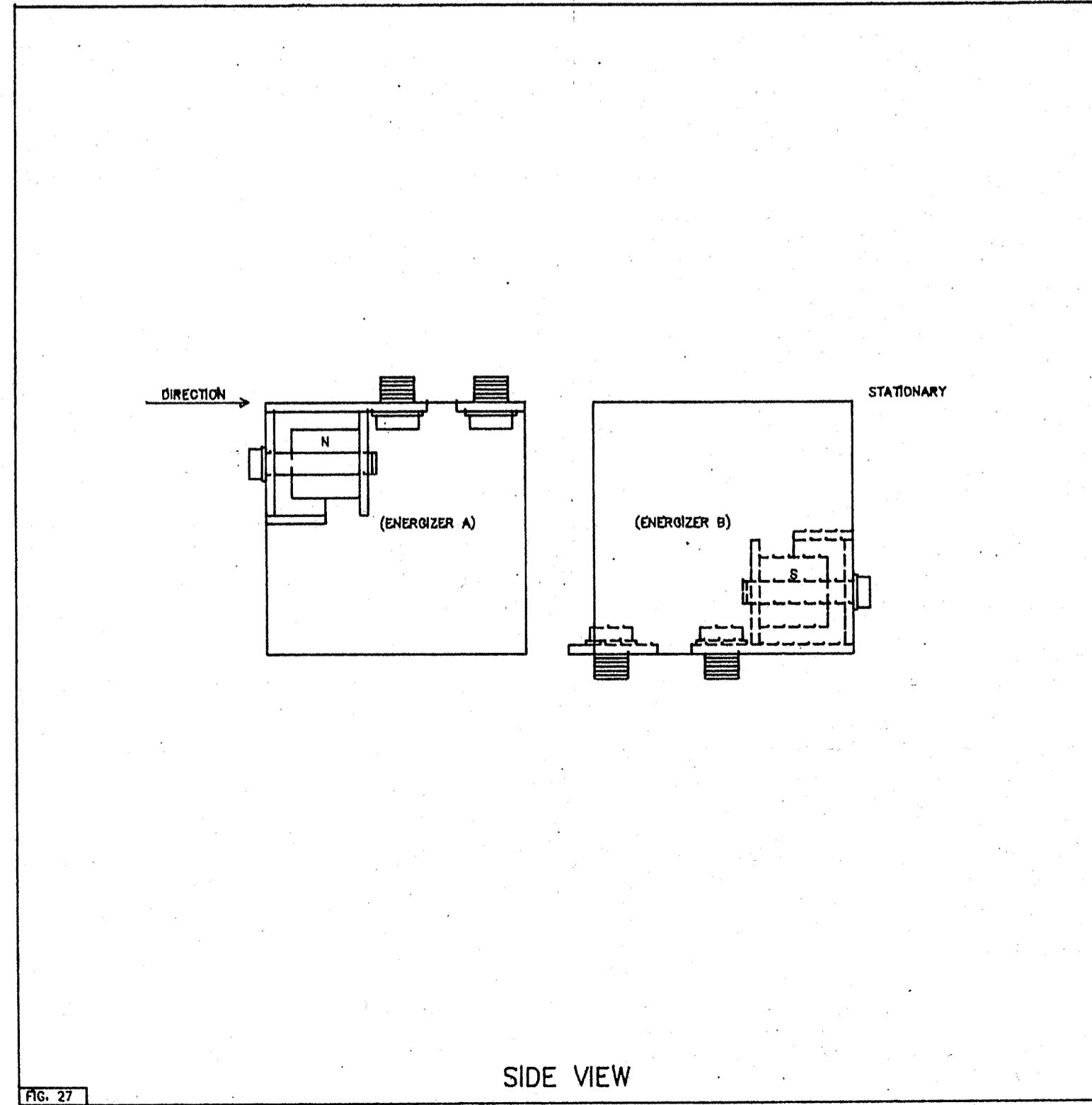
TOP VIEW (ENERGIZER B)

FIG. 25



BACK VIEW (ENERGIZER B)

FIG. 26



SIDE VIEW

FIG. 27